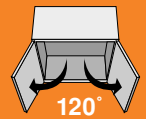


CLIP top 120° hinges



CLIP top/CLIP



Features

- 120° opening angle
- 3-dimensional adjustment
- All metal hinge, nickel plated
- Available with INSERTA tool-free attachment

Cover caps
Mounting plates

page 31
pages 47-52

Minimum Reveal

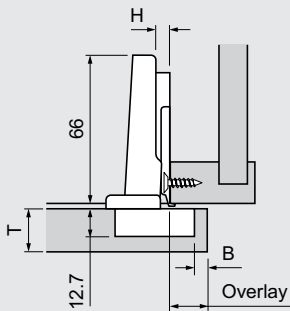
Minimum reveal table						
1.2	1.7	2.0	2.4	3.3	3	
1.2	1.7	2.0	2.3	3.1	4	
1.1	1.6	1.9	2.2	3.0	5	
1.1	1.6	1.9	2.2	2.9	6	
16	18	19	20	22	B	
T Door thickness					Bore	

Cross-reference the door thickness and bore distance to assure that doors won't bind when opened.

For door thickness greater than 22mm trial application recommended or use Thick door hinge (page 18).

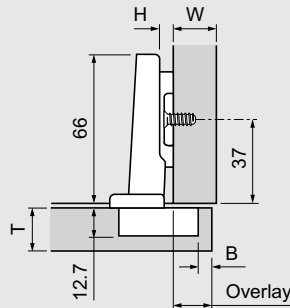
Frame cabinet applications

Overlay door



Panel cabinet applications

Overlay door



See back cover fold out for more specifications →

Straight-arm hinges

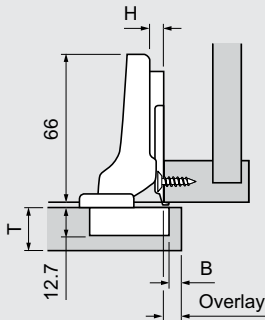
	Self close	Free swing
Screw-on	71T5550	70T5550
Press-in	71T5580	70T5580
Expando	71T558E	-
INSERTA	71T5590B	70T5590B

Overlay table						
0	14	15	16	17	11.5	20.5
3	11	12	13	14	14.5	23.5
4.5	9.5	10.5	11.5	12.5	16	25
6	8	9	10	11	17.5	26.5
9	5	6	7	8	20.5	29.5
H	3	4	5	6	P	S
Plate	B Bore distance				Clearance	

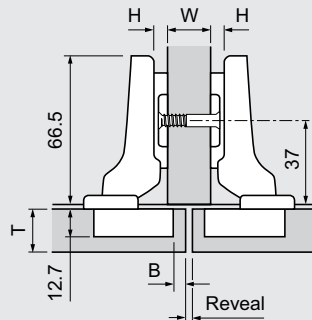
NOTE:
4.5 plate only available for face frame, 9 plate only available for panel cabinets

11 fixed distance

Partial overlay door



Twin overlay doors



Half-cranked hinges (9.5mm)

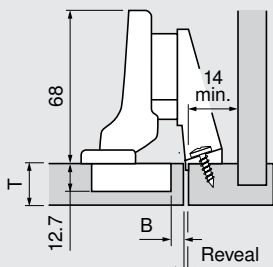
	Self close	Free swing
Screw-on	71T5650	70T5650
Press-in	71T5680	70T5680
INSERTA	71T5690B	70T5690B

Overlay table						
0	4.5	5.5	6.5	7.5	21.5	30
H	3	4	5	6	P	S
Plate	B Bore distance				Clearances	

1.5 fixed distance

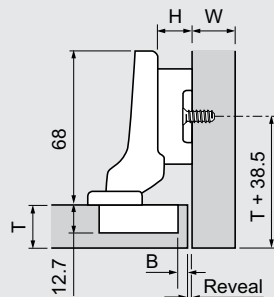
Reveal table						
0	7	5	3	1	16	21.5 30
	10	8	6	4	19	
	13	11	9	7	22	
H	3	4	5	6	W	P S
Plate	B Bore distance				Clearances	

Inset door



NOTE: For this application use a half-cranked hinge and mounting plate 175H5030.21

Inset door



Half-cranked hinges (9.5mm)

	Self close	Free swing
Screw-on	71T5650	70T5650
Press-in	71T5680	70T5680
INSERTA	71T5690B	70T5690B

Reveal table						
9	4.5	3.5	2.5	1.5	30.5	39
H	3	4	5	6	P	S
Plate	B Bore distance				Clearances	

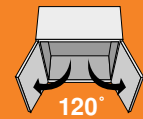
-7.5 fixed distance

For more information on using this section see page 5.

All dimensions in millimeters.

Subject to technical modifications without notice. © 2007

CLIP top 120°+ hinges



CLIP top/CLIP



Features

- 120° opening angle
- For larger overlays (max. 21mm)
- 3-dimensional adjustment
- All metal hinge, nickel plated
- Available with INSERTA tool-free attachment

Cover caps
Mounting plates

page 31
pages 47-52

Minimum Reveal

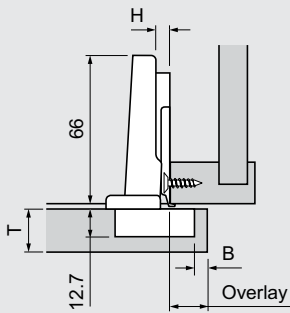
Minimum reveal table						
1.2	1.7	2.0	2.4	3.3	3	
1.2	1.7	2.0	2.3	3.1	4	
1.1	1.6	1.9	2.2	3.0	5	
1.1	1.6	1.9	2.2	2.9	6	
16	18	19	20	22	B	
T Door thickness					Bore	

Cross-reference the door thickness and bore distance to assure that doors won't bind when opened.

For door thickness greater than 22mm trial application recommended or use Thick door hinge (page 18).

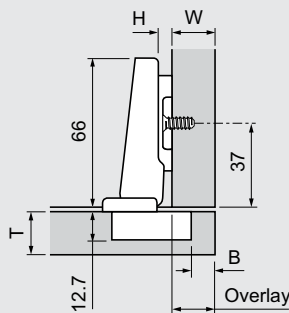
Frame cabinet applications

Overlay door



Panel cabinet applications

Overlay door



See back cover fold out for more specifications →

Straight-arm hinges

	Self close	Free swing
Screw-on	73T5550	72T5550
Press-in	73T5580	72T5580
Expando	73T558E	-
INSERTA	73T5590B	72T5590B

Overlay table						
0	16	17	18	19	9.5	19
3	13	14	15	16	12.5	22
4.5	11.5	12.5	13.5	14.5	14	23.5
6	10	11	12	13	15.5	25
9	7	8	9	10	18.5	28
H	3	4	5	6	P	S
Plate	B Bore distance				Clearance	

NOTE:
4.5 plate only available for face frame, 9 plate only available for panel cabinets

13 fixed distance

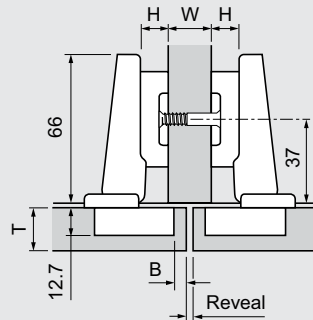
Straight-arm hinges

	Self close	Free swing
Screw-on	73T5550	72T5550
Press-in	73T5580	72T5580
Expando	73T558E	-
INSERTA	73T5590B	72T5590B

Reveal table							Twin overlay	
2	-	-	-	16				
9	5	3	-	19	18.5	28		
	8	6	4	22				
H	3	4	5	6	W	P	S	
Plate	B Bore distance					Clearances		

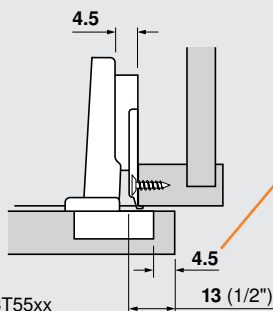
4 fixed distance

Twin overlay doors



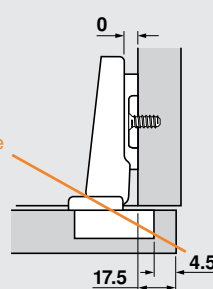
Building both frame and panel cabinets

Frame



Hinge: 73T55xx
Plate: 175H6040

Panel



Hinge: 73T55xx
Plate: any 0 plate

Same boring distance

The most common overlays for frame and panel cabinets can be achieved by using the same machine setting for hinge cup boring.

Bore **ALL** doors at 4.5mm to achieve:
- 13mm (1/2") overlay on frame cabinets and
- 17.5mm overlay on panel cabinets

Use hinge/plate combinations to the left.

Advantages:

- Only one machine setting for boring all doors (4.5mm)
- Same hinge used for both applications (73T55xx)

