



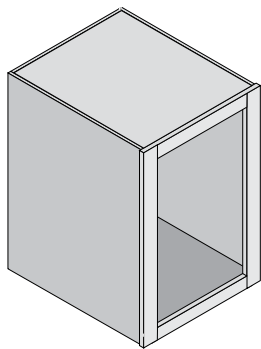
Using this section

Blum's Euro hinge page format

Blum's concealed hinge brochure makes it easy to use our Euro hinges. Each page shows information for both face frame and frameless (panel) applications. The left column shows the hinge in a face frame cabinet and the center column shows it in a panel cabinet. The right column holds the overlay and reveal tables.

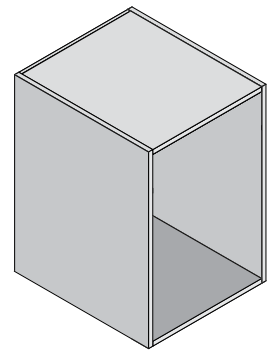
Blum makes it easy to use CLIP top, CLIP and MODUL no matter which type of cabinet you build.

Frame cabinet construction



To use Euro hinges in a face frame cabinet use the left column.

Frameless (panel) cabinet construction



To use Euro hinges in a frameless cabinet use the center column.

CLIP top 120° hinges

120°

Features

- 120° opening angle
- 3-dimensional adjustment
- All metal hinge, nickel plated
- Available with INSERTA tool-free attachment

Cover caps **page 31**

Mounting plates **pages 47-52**

Minimum Reveal

| | | | | | |
|-----|-----|-----|-----|-----|---|
| 1.2 | 1.7 | 2.0 | 2.4 | 3.3 | 3 |
| 1.2 | 1.7 | 2.0 | 2.3 | 3.1 | 4 |
| 1.1 | 1.6 | 1.9 | 2.2 | 3.0 | 5 |
| 1.1 | 1.6 | 1.9 | 2.2 | 2.9 | 6 |
| 1.6 | 1.8 | 1.9 | 2.2 | 2.8 | 8 |

Cross-reference the door thickness and bore distance to assure that doors won't bind when opened.

For door thickness greater than 22mm trial application recommended or use Thick door hinge (page 19).

Frame cabinet applications

Overlay door

Partial overlay door

Inset door

Panel cabinet applications

Overlay door

Twin overlay doors

Inset door

See back cover fold out for more specifications →

Straight-arm hinges

| | |
|------------|-------------------|
| Self close | Free swing |
| Screw-on | 7115550 7015550 |
| Press-in | 7115550 7015550 |
| Expando | 711555E |
| INSERTA | 7115590B 7015590B |

Overlay table

| | | | | | | |
|-----|-----|------|------|------|------|------|
| 0 | 14 | 15 | 16 | 17 | 11.5 | 20.5 |
| 3 | 11 | 12 | 13 | 14 | 14.5 | 23.5 |
| 4.5 | 9.5 | 10.5 | 11.5 | 12.5 | 16 | 25 |
| 6 | 8 | 9 | 10 | 11 | 17.5 | 26.5 |
| 9 | 5 | 6 | 7 | 8 | 20.5 | 29.5 |

NOTE: 4.5 plate only available for face frame, 9 plate only available for panel cabinets

H 3 4 5 6 P S
B Bore distance Clearance

11 fixed distance

Half-ported hinges (9.5mm)

| | |
|------------|-------------------|
| Self close | Free swing |
| Screw-on | 7115650 7015650 |
| Press-in | 7115650 7015650 |
| INSERTA | 7115690B 7015690B |

Overlay table

| | | | | | | |
|-------|-----|---------------|-----------|-----|------|----|
| 0 | 4.5 | 5.5 | 6.5 | 7.5 | 21.5 | 30 |
| H | 3 | 4 | 5 | 6 | P | S |
| Plate | B | Bore distance | Clearance | | | |

1.5 fixed distance

Reveal table

| | | | | | | |
|----|----|---|---|----|----|------|
| 0 | 7 | 5 | 3 | 1 | 16 | |
| 0 | 10 | 8 | 6 | 4 | 19 | 21.5 |
| 13 | 11 | 9 | 7 | 22 | | 30 |

H 3 4 5 6 W P S
B Bore distance Clearance

Half-ported hinges (9.5mm)

| | |
|------------|-------------------|
| Self close | Free swing |
| Screw-on | 7115650 7015650 |
| Press-in | 7115680 7015680 |
| INSERTA | 7115690B 7015690B |

Reveal table

| | | | | | | |
|-------|-----|---------------|-----------|-----|------|----|
| 9 | 4.5 | 3.5 | 2.5 | 1.5 | 20.5 | 29 |
| H | 3 | 4 | 5 | 6 | P | S |
| Plate | B | Bore distance | Clearance | | | |

1.5 fixed distance

blum

All dimensions in millimeters.
Subject to technical modifications without notice. © 2007

12

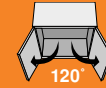
Cross-reference Tables

The right column holds the Overlay, Reveal and Minimum Reveal tables. It also contains the part numbers of the hinges for each application. These charts are explained, step-by-step, on the next two pages.





CLIP top 120° hinges



Features

- 120° opening angle
- 3-dimensional adjustment
- All metal hinge, nickel plated
- Available with INSERTA tool-free attachment

Cover caps
Mounting plates

page 31
pages 47-52

Minimum Reveal

| Minimum reveal table | | | | | | |
|----------------------|-----|-----|-----|-----|--------|--|
| 1.2 | 1.7 | 2.0 | 2.4 | 3.3 | 3 | |
| 1.2 | 1.7 | 2.0 | 2.3 | 3.1 | 4 | |
| 1.1 | 1.6 | 1.9 | 2.2 | 3.0 | 5 | |
| 1.1 | 1.6 | 1.9 | 2.2 | 2.9 | 6 | |
| 16 | 18 | 19 | 20 | 22 | B | |
| T Door thickness | | | | | B Bore | |

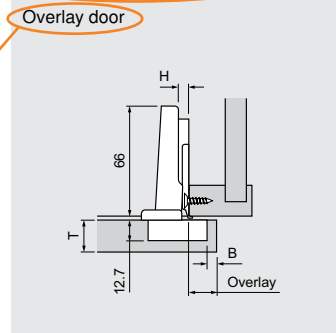
Cross-reference the door thickness and bore distance to assure that doors won't bind when opened.

For door thickness greater than 22mm trial application recommended or use Thick door hinge (page 18).

CLIP top/CLIP

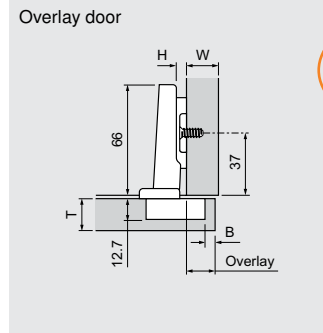
Step 1

Frame cabinet applications



Step 2

Panel cabinet applications



See back cover fold out for more specifications →

Straight-arm hinges

| | Self close | Free swing |
|----------|------------|------------|
| Screw-on | 71T5550 | 70T5550 |
| Press-in | 71T5580 | 70T5580 |
| Expando | 71T558E | - |
| INSERTA | 71T5590B | 70T5590S |

Overlay table

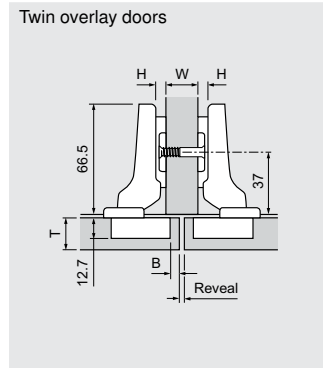
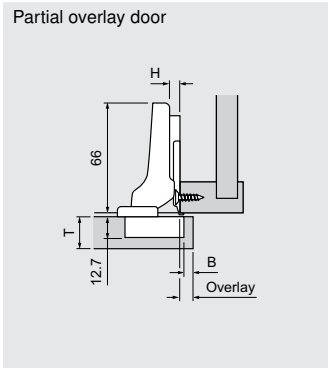
| | 0 | 14 | 15 | 16 | 17 | 11.5 | 20.5 |
|-----------------|-----|------|------|------|------|------|------|
| 3 | 11 | 12 | 13 | 14 | 14.5 | 23.5 | |
| 4.5 | 9.5 | 10.5 | 11.5 | 12.5 | 16 | 25 | |
| 6 | 8 | 9 | 10 | 11 | 17.5 | 26.5 | |
| 9 | 5 | 6 | 7 | 8 | 20.5 | 29.5 | |
| H Plate | 3 | 4 | 5 | 6 | P | S | |
| B Bore distance | | | | | | | |

NOTE: 4.5 plate only available for face frame, 9 plate only available for panel cabinets

Step 4

Step 5

Step 3



Half-cranked hinges (9.5mm)

| | Self close | Free swing |
|----------|------------|------------|
| Screw-on | 71T5650 | 70T5650 |
| Press-in | 71T5680 | 70T5680 |
| INSERTA | 71T5690B | 70T5690B |

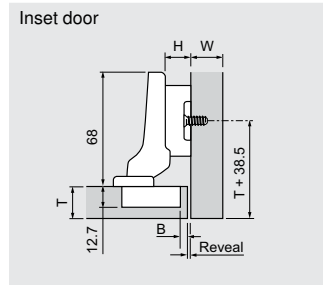
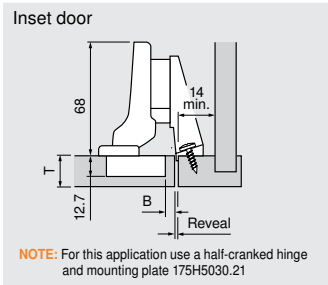
Overlay table

| | 0 | 4.5 | 5.5 | 6.5 | 7.5 | 21.5 | 30 |
|-----------------|---|-----|-----|-----|-----|------|----|
| H Plate | 3 | 4 | 5 | 6 | P | S | |
| B Bore distance | | | | | | | |

1.5 fixed distance

Reveal table

| | 7 | 5 | 3 | 1 | 16 | | |
|-----------------|----|----|---|---|----|------|----|
| 0 | 10 | 8 | 6 | 4 | 19 | 21.5 | 30 |
| | 13 | 11 | 9 | 7 | 22 | | |
| H Plate | 3 | 4 | 5 | 6 | W | P | S |
| B Bore distance | | | | | | | |



Half-cranked hinges (9.5mm)

| | Self close | Free swing |
|----------|------------|------------|
| Screw-on | 71T5650 | 70T5650 |
| Press-in | 71T5680 | 70T5680 |
| INSERTA | 71T5690B | 70T5690B |

Reveal table

| | 9 | 4.5 | 3.5 | 2.5 | 1.5 | 30.5 | 39 |
|-----------------|---|-----|-----|-----|-----|------|----|
| H Plate | 3 | 4 | 5 | 6 | P | S | |
| B Bore distance | | | | | | | |

-7.5 fixed distance

Ram needed for use with MINIPRESS

For more information on using this section see page 5.
All dimensions in millimeters.
Subject to technical modifications without notice. © 2007

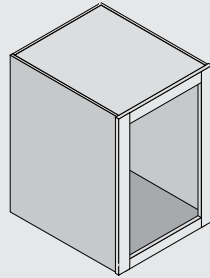


Using this section - CLIP top, CLIP and MODUL hinges

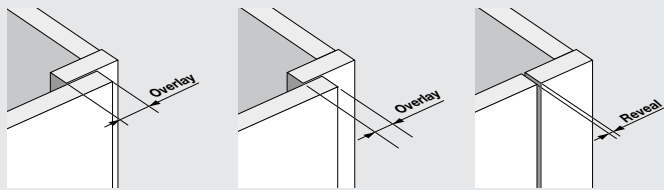
Face frame cabinets

Step 1: Determine cabinet construction

Face frame cabinet



Step 2: Determine the overlay or reveal



Overlay door

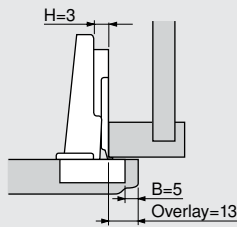
Partial Overlay door

Inset door

Step 3: Find boring distance and mounting plate height in the table. Example:

| Overlay table | | | | | | | |
|---------------|-----------------|------|------|-----------|------|------|--|
| 0 | 14 | 15 | 16 | 17 | 11.5 | 20.5 | |
| 3 | 11 | 12 | 13 | 14 | 14.5 | 23.5 | |
| 4.5 | 9.5 | 10.5 | 11.5 | 12.5 | 16 | 25 | |
| 6 | 8 | 9 | 10 | 11 | 17.5 | 26.5 | |
| 9 | 5 | 6 | 7 | 8 | 20.5 | 29.5 | |
| H | 3 | 4 | 5 | 6 | P | S | |
| Plate | B Bore distance | | | Clearance | | | |

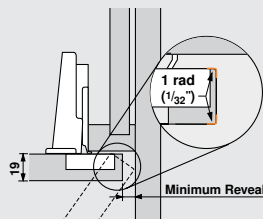
11 fixed distance



Step 4: Check minimum reveal table

All minimum reveal tables are based on square edge doors with a 1mm radius. A larger radius or profile door will reduce the minimum reveal. Trial recommended.

| Minimum reveal table | | | | | |
|----------------------|-----|-----|-----|-----|------|
| 1.2 | 1.7 | 2.0 | 2.4 | 3.3 | 3 |
| 1.2 | 1.7 | 2.0 | 2.3 | 3.1 | 4 |
| 1.1 | 1.6 | 1.9 | 2.2 | 3.0 | 5 |
| 1.1 | 1.6 | 1.9 | 2.2 | 2.9 | 6 |
| 16 | 18 | 19 | 20 | 22 | B |
| T Door thickness | | | | | Bore |



Step 5: Select hinge

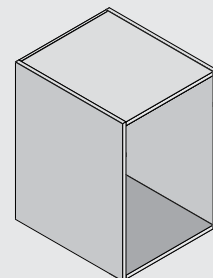
Straight-arm hinges

| | Self close | Free swing |
|--|------------|------------|
| Screw-on | 71T5550 | 70T5550 |
| Press-in  | 71T5580 | 70T5580 |
| Expando | 71T558E | - |
| INSERTA | 71T5590B | 70T5590B |

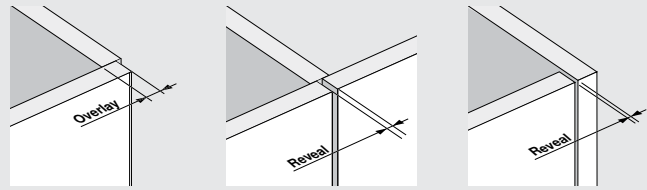
Panel cabinets

Step 1: Determine cabinet construction

Panel cabinet



Step 2: Determine the overlay or reveal



Overlay door

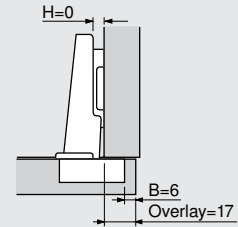
Twin doors

Inset door

Step 3: Find boring distance and mounting plate height in the table. Example:

| Overlay table | | | | | | | |
|---------------|-----------------|------|------|-----------|------|------|--|
| 0 | 14 | 15 | 16 | 17 | 11.5 | 20.5 | |
| 3 | 11 | 12 | 13 | 14 | 14.5 | 23.5 | |
| 4.5 | 9.5 | 10.5 | 11.5 | 12.5 | 16 | 25 | |
| 6 | 8 | 9 | 10 | 11 | 17.5 | 26.5 | |
| 9 | 5 | 6 | 7 | 8 | 20.5 | 29.5 | |
| H | 3 | 4 | 5 | 6 | P | S | |
| Plate | B Bore distance | | | Clearance | | | |

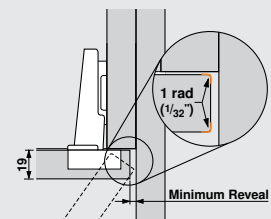
11 fixed distance



Step 4: Check minimum reveal table


All minimum reveal tables are based on square edge doors with a 1mm radius. A larger radius or profile door will reduce the minimum reveal. Trial recommended.

| Minimum reveal table | | | | | |
|----------------------|-----|-----|-----|-----|------|
| 1.2 | 1.7 | 2.0 | 2.4 | 3.3 | 3 |
| 1.2 | 1.7 | 2.0 | 2.3 | 3.1 | 4 |
| 1.1 | 1.6 | 1.9 | 2.2 | 3.0 | 5 |
| 1.1 | 1.6 | 1.9 | 2.2 | 2.9 | 6 |
| 16 | 18 | 19 | 20 | 22 | B |
| T Door thickness | | | | | Bore |



Step 5: Select hinge

Straight-arm hinges

| | Self close | Free swing |
|--|------------|------------|
| Screw-on | 71T5550 | 70T5550 |
| Press-in  | 71T5580 | 70T5580 |
| Expando | 71T558E | - |
| INSERTA | 71T5590B | 70T5590B |