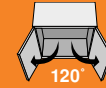




CLIP top 120° hinges



Features

- 120° opening angle
- 3-dimensional adjustment
- All metal hinge, nickel plated
- Available with INSERTA tool-free attachment

Cover caps
Mounting plates

page 31
pages 47-52

Minimum Reveal

Minimum reveal table						
1.2	1.7	2.0	2.4	3.3	3	
1.2	1.7	2.0	2.3	3.1	4	
1.1	1.6	1.9	2.2	3.0	5	
1.1	1.6	1.9	2.2	2.9	6	
16	18	19	20	22	B	
T Door thickness					B Bore	

Cross-reference the door thickness and bore distance to assure that doors won't bind when opened.

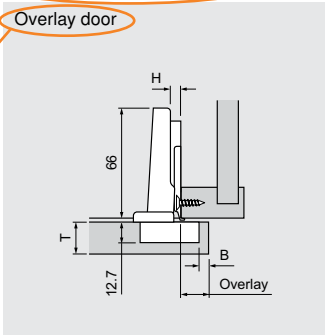
For door thickness greater than 22mm trial application recommended or use Thick door hinge (page 18).

CLIP top/CLIP

Step 1

Frame cabinet applications

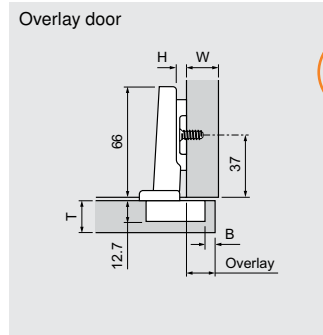
Overlay door



Step 2

Panel cabinet applications

Overlay door



See back cover fold out for more specifications →

Straight-arm hinges

	Self close	Free swing
Screw-on	71T5550	70T5550
Press-in	71T5580	70T5580
Expando	71T558E	-
INSERTA	71T5590B	70T5590S

Overlay table

	0	14	15	16	17	11.5	20.5
3	11	12	13	14	14.5	23.5	
4.5	9.5	10.5	11.5	12.5	16	25	
6	8	9	10	11	17.5	26.5	
9	5	6	7	8	20.5	29.5	
H Plate	3	4	5	6	P	S	
B Bore distance							

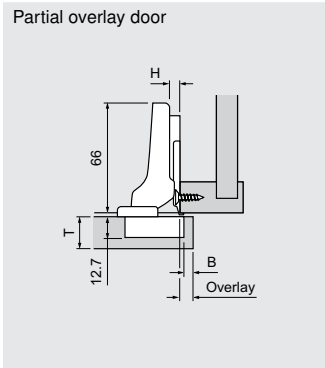
NOTE: 4.5 plate only available for face frame, 9 plate only available for panel cabinets

Step 4

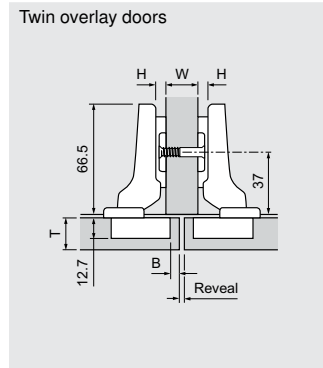
Step 5

Step 3

Partial overlay door



Twin overlay doors



Half-cranked hinges (9.5mm)

	Self close	Free swing
Screw-on	71T5650	70T5650
Press-in	71T5680	70T5680
INSERTA	71T5690B	70T5690B

Overlay table

	0	4.5	5.5	6.5	7.5	21.5	30
H Plate	3	4	5	6	P	S	
B Bore distance							

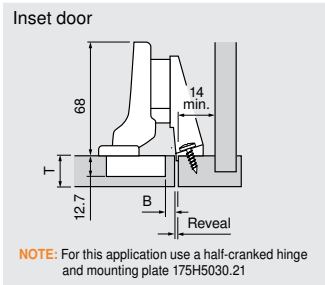
1.5 fixed distance

Reveal table

	7	5	3	1	16		
0	10	8	6	4	19	21.5	30
	13	11	9	7	22		
H Plate	3	4	5	6	W	P	S
B Bore distance							

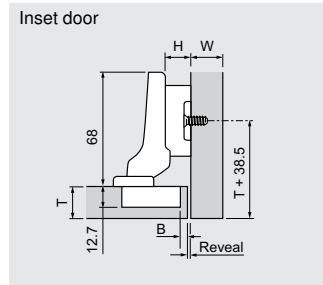
-7.5 fixed distance

Inset door



NOTE: For this application use a half-cranked hinge and mounting plate 175H5030.21

Inset door



Half-cranked hinges (9.5mm)

	Self close	Free swing
Screw-on	71T5650	70T5650
Press-in	71T5680	70T5680
INSERTA	71T5690B	70T5690B

Reveal table

	9	4.5	3.5	2.5	1.5	30.5	39
H Plate	3	4	5	6	P	S	
B Bore distance							

-7.5 fixed distance

Ram needed for use with MINIPRESS

For more information on using this section see page 5.
All dimensions in millimeters.
Subject to technical modifications without notice. © 2007

