



CLIP top/CLIP

INSERTA tool-free assembly

Blum offers tool-free attachment of hinge to door and plate to cabinet with its INSERTA hinges and mounting plates.



Time proven CLIP technology

Since 1985, the CLIP hinge has been an industry leader in easy, tool-free attachment of door to cabinet.



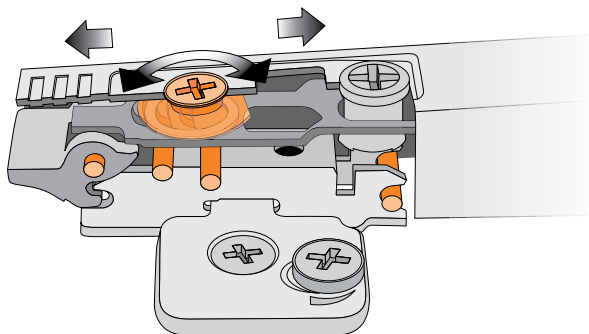
BLUMOTION silent closing

Blum hinges are made to work with optional BLUMOTION silent closing devices for a controlled close, every time.



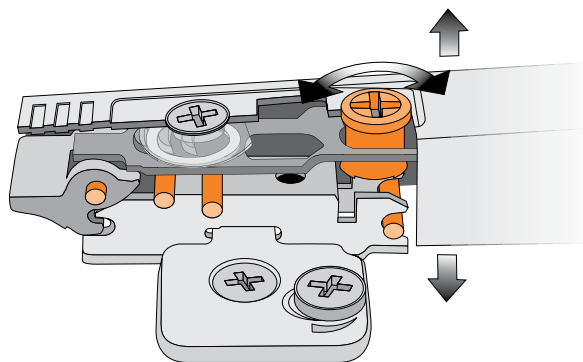
Spiral-Tech depth adjustment

With Blum's Spiral-Tech depth adjustment, just one and three quarter revolutions of the screw creates 5mm of adjustment without loosening and retightening a fixing screw.



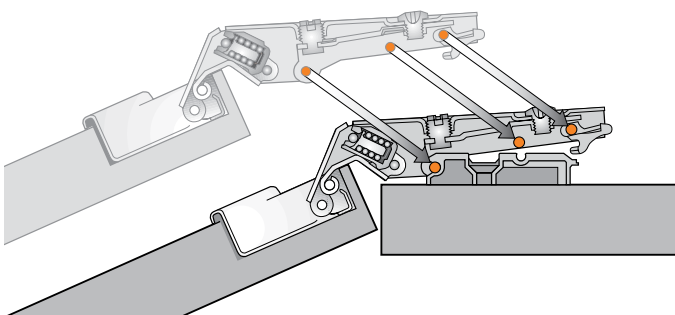
Side adjustment

Blum's side adjustment is a flush screwhead that allows 4mm of adjustment. It also has an integral stop that prevents removal.



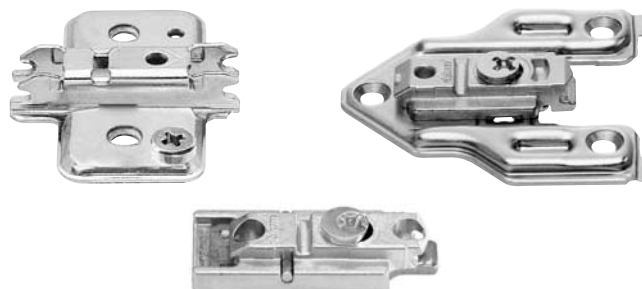
Blum three-point contact

CLIP top and CLIP hinges have three-point contact between the hinge and mounting plate to keep them firmly connected under heavy usage.



Wide variety of mounting plates

Blum has mounting plates for every application, from wing plates with pre-attached screws or dowels, to Cam height adjustable face frame adapters, to sleek in-line mounting plates.





Hinge-to-door attachment

Screw-on Use #6 wood screws	Press-in Pre-attached dowels installed with Blum MINIPRESS	EXPANDO Pre-attached expanding dowels	INSERTA Tool-free attachment (cup expands into Ø35mm hole)
---	--	---	--

Hinge cup centerpoint

C Cup centerpoint					
20.5	21.5	22.5	23.5	24.5	25.5
13/16"	27/32"	7/8"	15/16"	31/32"	1"
3	4	5	6	7*	8*

B Bore distance
* only for use with select Blum hinges

Cup centerpoint is the MINIPRESS or MINIDRILL fence depth position.

Mounting plate-to-cabinet

 Screw-on	 EXPANDO	 INSERTA
--------------	-------------	-------------

Three-dimensional adjustment

Side adjustment

Turn front screw to increase or decrease door overlay ($\pm 2\text{mm}$).

Height adjustment

Rotate cam screw-on mounting plate to adjust door position ($\pm 2\text{mm}$).

On non-cam mounting plates, loosen screw, adjust door and retighten screws.

Depth adjustment

Turn rear spiral-tech cam screw to adjust door position (+3mm, -2mm).

For CLIP, loosen rear screw, adjust and retighten.

Hinge dimension abbreviations

- B = Boring distance
- H = Mounting plate height
- OL = Door overlay
- P = Door protrusion (at max opening)
- R = Reveal
- S = Hinge arm protrusion
- T = Door thickness
- W = Side panel width
- X = Fixed distance

Hinges per door

This chart can serve as a guide for determining the number of hinges per door. Note that door weight can also determine the number of hinges required.

Important: The distance between the top and bottom hinges must be greater than the width of the door.

X = Door height
Y = Number of hinges